

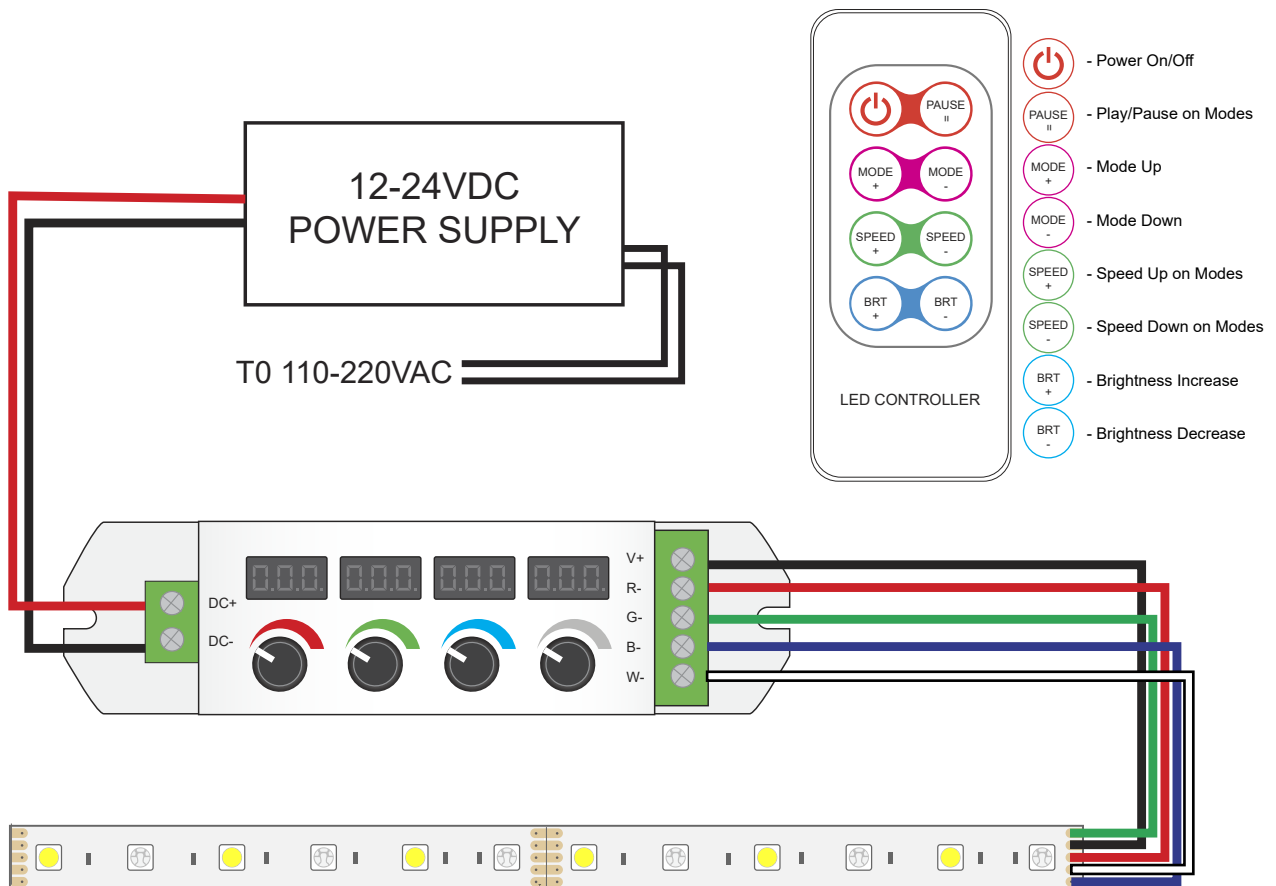
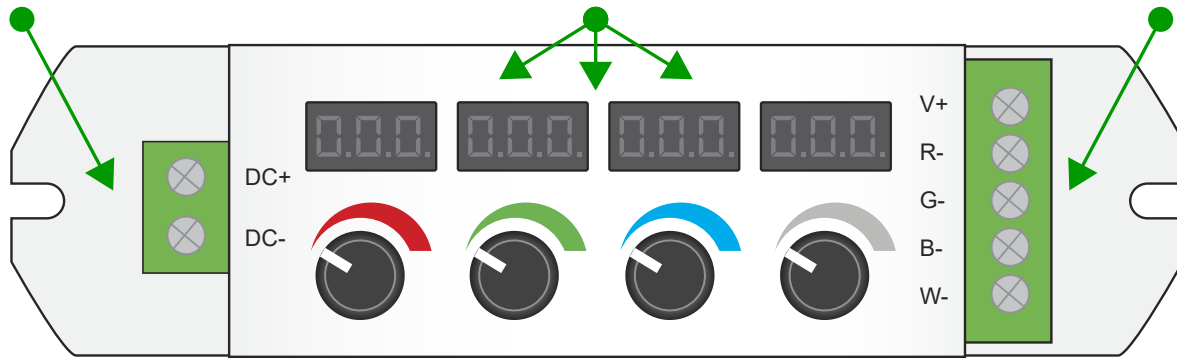
CONNECTION INSTRUCTIONS

4 Knob RGBW LED Controller with RF Remote

12-24VDC LED INPUT
DC+ / DC-

0-255 Red, Green, Blue, and White values

LED OUTPUT RGBW(+)
5A x 4CH Max Output
12VDC-240W Max
24VDC-480W Max



**MAXIMUM
CONTROLLER LOAD**



12VDC: 240W Max
24VDC: 480W Max