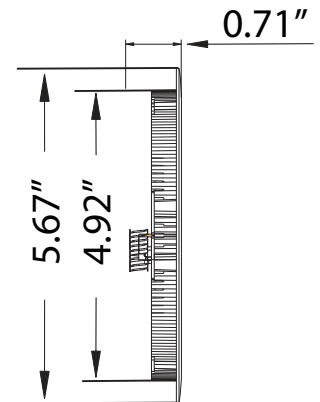
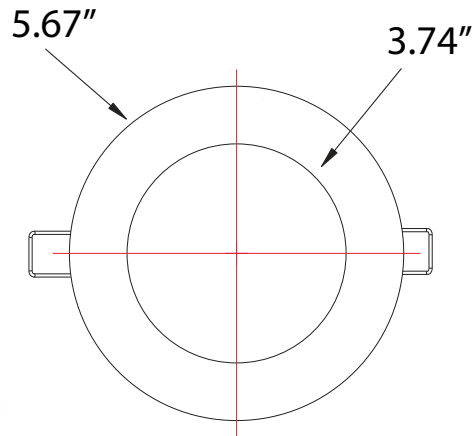


SPECIFICATIONS

4" Round LED Downlight, 8W



PRODUCT NAME	4" Round LED Downlight, 8W with Driver & Cord
SKU	Daylight White: LD-SC-4R1-DW Warm White: LD-SC-4R1-WW
PRODUCT URL	Daylight White: Click Here Warm White: Click Here
DESCRIPTION	This 4" Round LED Downlight is an exceptionally high performance LED lamp built to last for over 36,000 hours. This fixture can be mounted in any circular hole with a 5.03" - 5.20" Diameter. This 8W light is so bright that it can easily replace a 60W incandescent bulb, saving you money while being earth friendly. Easy to use connectors make it simple to install to any 100-240VAC power source. The frosted cover makes for a sleek look when the lights are both on and off. If you are planning on a home or business LED retrofit this is a perfect product for you. Emits no UV or IR, RoHS and CE approved.
SUPPLY VOLTAGE	100-240VAC / 50-60Hz
OPERATING HOURS	36,000 Hours
COLOR TEMP	Daylight White: 3,700-4,500K / Warm White: 2,700-3,200K
BEAM ANGLE	110°
LUMENS	Daylight White: 536 lm, Warm White: 430 lm
DIMENSIONS	5.67" Diameter X 0.71" Width (144mm Diameter X 18mm Width)
WATTS	8 Watts
CRI	>80
IP RATING	IP43 Indoor
WARRANTY	2 year manufacturers

These specifications are subject to change without notice. This specification information is from the manufacturer of this product. Ecolocity LED is not the manufacturer of this product.
Copyright © 2014 Ecolocity LED