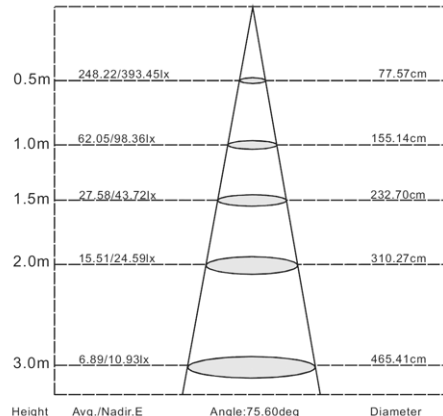
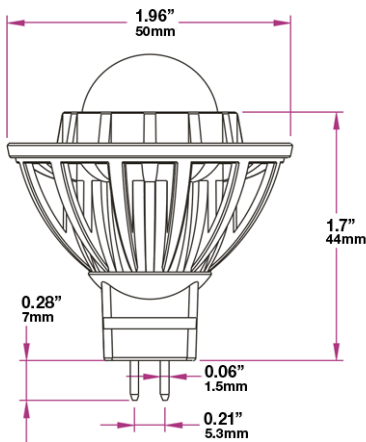


# SPECIFICATIONS

# MR16 LED Warm White Spotlight Lamp - 5W



**PRODUCT NAME**

MR16 LED Warm White Spotlight Lamp 5W - 12V

**URL**

[Click Here](#)

**SKUs**

LB-SC-MR16-5W-WW

**DESCRIPTION**

This 12V LED Spotlight Lamp Module is great for spotlight illumination and general lighting indoors. With a maximum output of 5W it is a great low cost/low power light solution. The module's Aluminum enclosure also acts as a heat sink, improving bulb operating temperature and extending life. This LED Spotlight Lamp Module was designed with the environment in mind; containing no mercury and low CO2 emissions. This low power LED Lamp Bulb is a perfect alternative to high cost halogen lighting.

**DIMENSIONS**

1.96" Diameter X 1.7" Seat Depth (50mm Diameter X 44mm Seat Depth)

**LIFESPAN**

30,000-50,000 Hours

**RATING**

IP20

**POWER USE**

12VDC/AC, 5 Watts, 417mA (0.417A)

**COLOR TEMP.**

Warm White, 2700-3500K

**CRI**

77 (Color Rendering Index)

**LUMENS**

195 lm

**BEAM ANGLE**

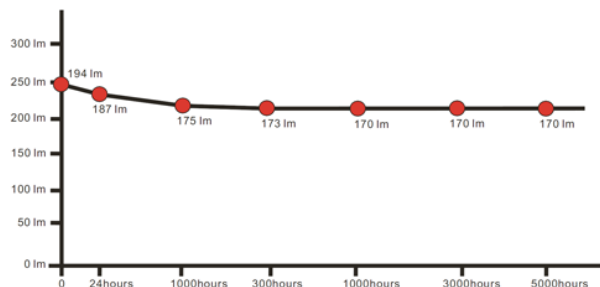
90°

**CONNECTION**

2-Pin, GU5.3 for MR16 type bulbs

**WARRANTY**

2 Year Manufacturers



SKU	Color Temp	Size	LED Qty	Lumens	Color Rendering Index (CRI)	Outdoor Rating	Beam Angle	Voltage (V)	Current (mA)	Watts Required
LB-SC-MR16-5W-WW	2700-3500K	1.96" x 1.7"	6 per Lens	195 lm	77	IP20	90°	12VDC/AC	417mA	5W

These specification are subject to change without notice. This specification information is from the manufacturer of this product. Ecolocity LED is not the manufacturer of this product. Copyright © 2014 Ecolocity LED