

PWM Signal Input

Input from your 12-24VDC PWM LED Dimmer

1 Channel Signal Amplifier / Repeater

LED Output

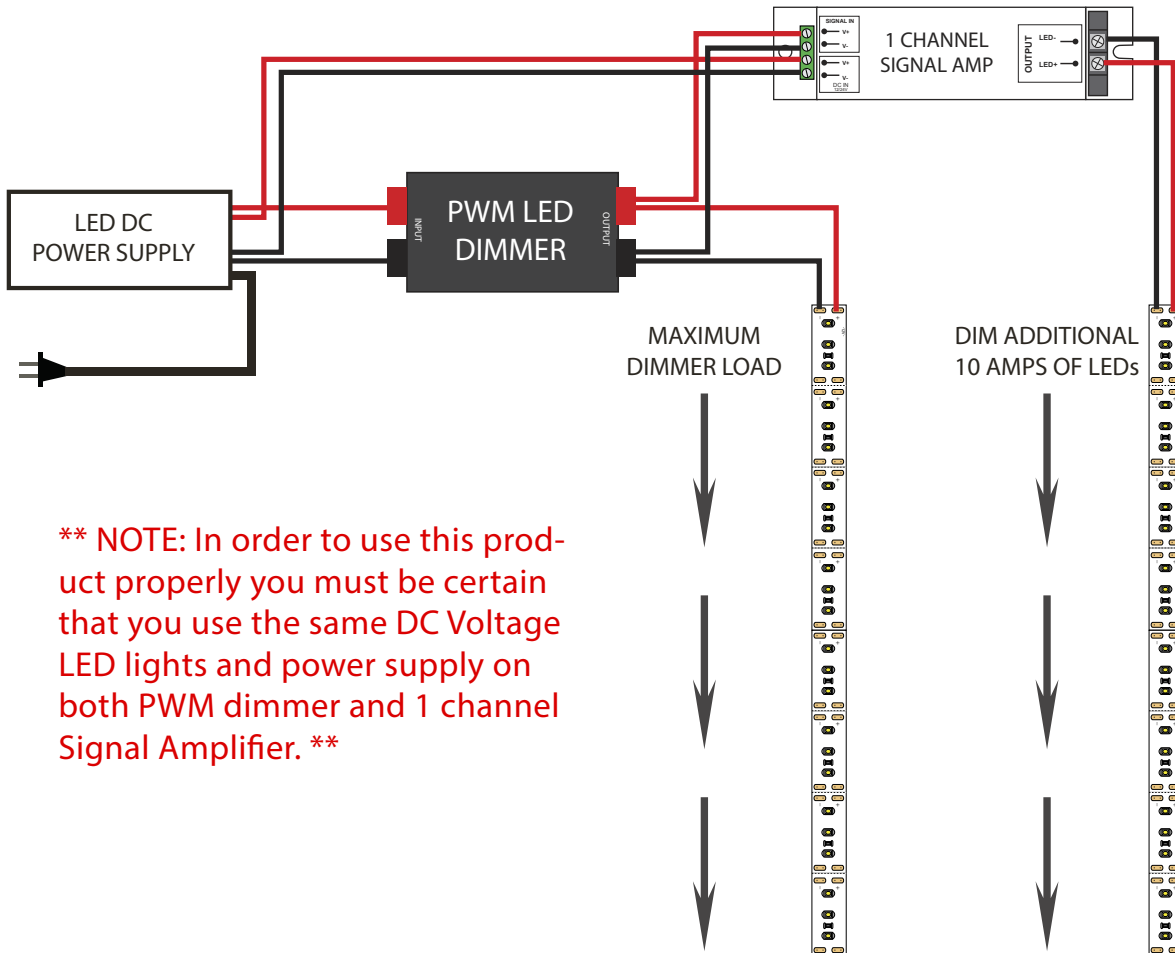
Common Anode (+)
Connect to 5-24VDC LED Lights for additional 10A of dimming



Input Power

12-24VDC Power Input

1 Channel Signal Amplifier Layout Example



**** NOTE: In order to use this product properly you must be certain that you use the same DC Voltage LED lights and power supply on both PWM dimmer and 1 channel Signal Amplifier. ****